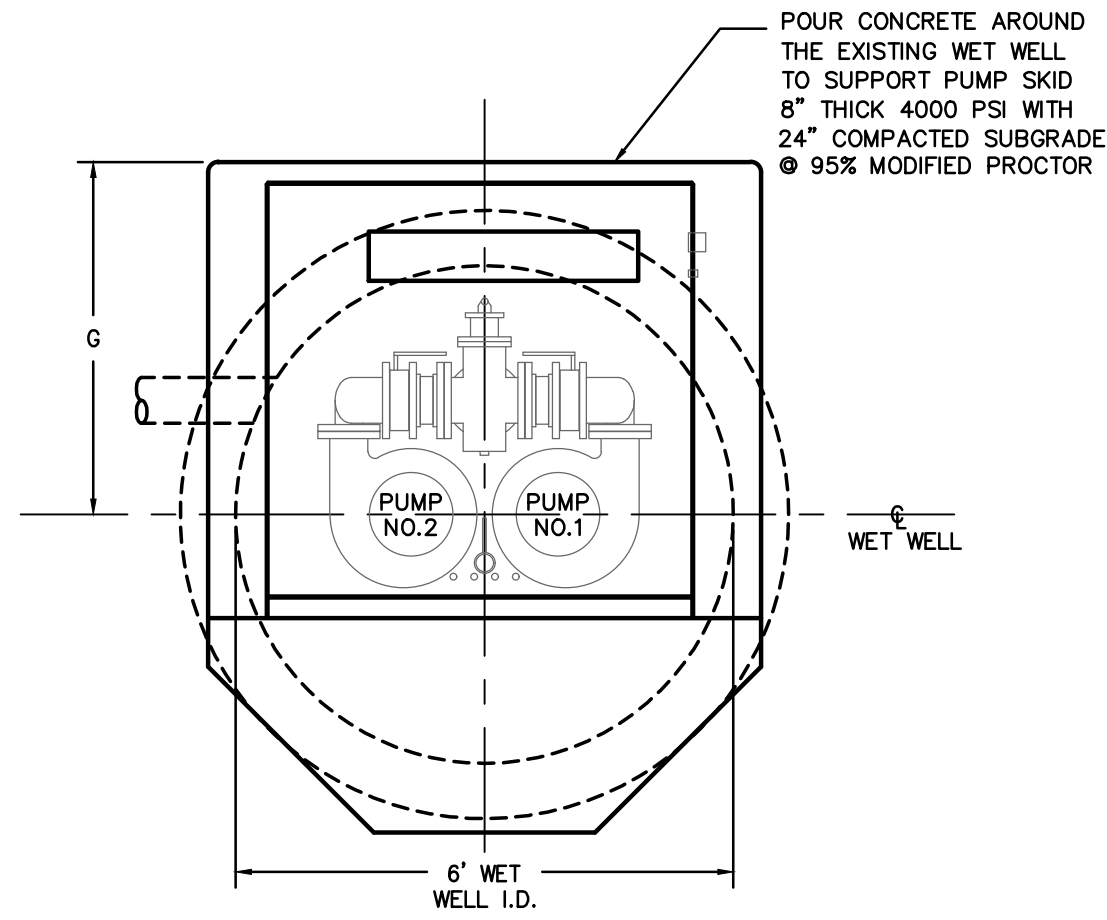


VICINITY MAP  
NOT TO SCALE



PLAN VIEW  
(SHOWN LESS HOOD)

POUR CONCRETE AROUND THE EXISTING WET WELL TO SUPPORT PUMP SKID 8" THICK 4000 PSI WITH 24" COMPACTED SUBGRADE @ 95% MODIFIED PROCTOR

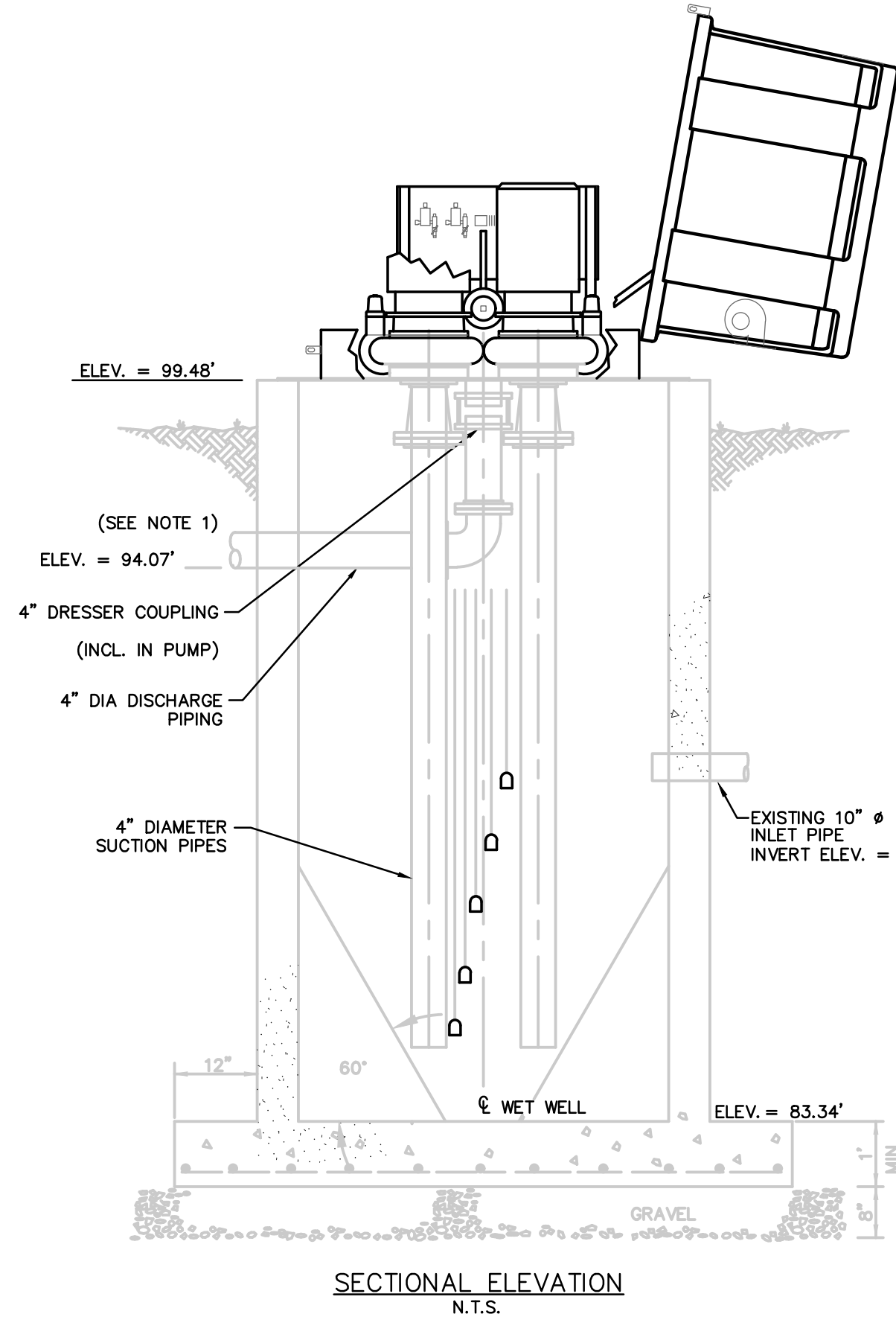
GENERAL NOTES:

1. CONTRACTOR SHALL PAY CLOSE ATTENTION TO SOIL MANAGEMENT DURING CONSTRUCTION.
2. EROSION AND SEDIMENT CONTROL STRUCTURES SHALL BE INSTALLED PRIOR TO OR CONCURRENT WITH START OF CONSTRUCTION.
3. ALL DISTURBED AREAS SHALL BE REVEGETATED IMMEDIATELY FOLLOWING CONSTRUCTION IN ACCORDANCE WITH THE MANUAL FOR EROSION AND SEDIMENT CONTROL IN GEORGIA.

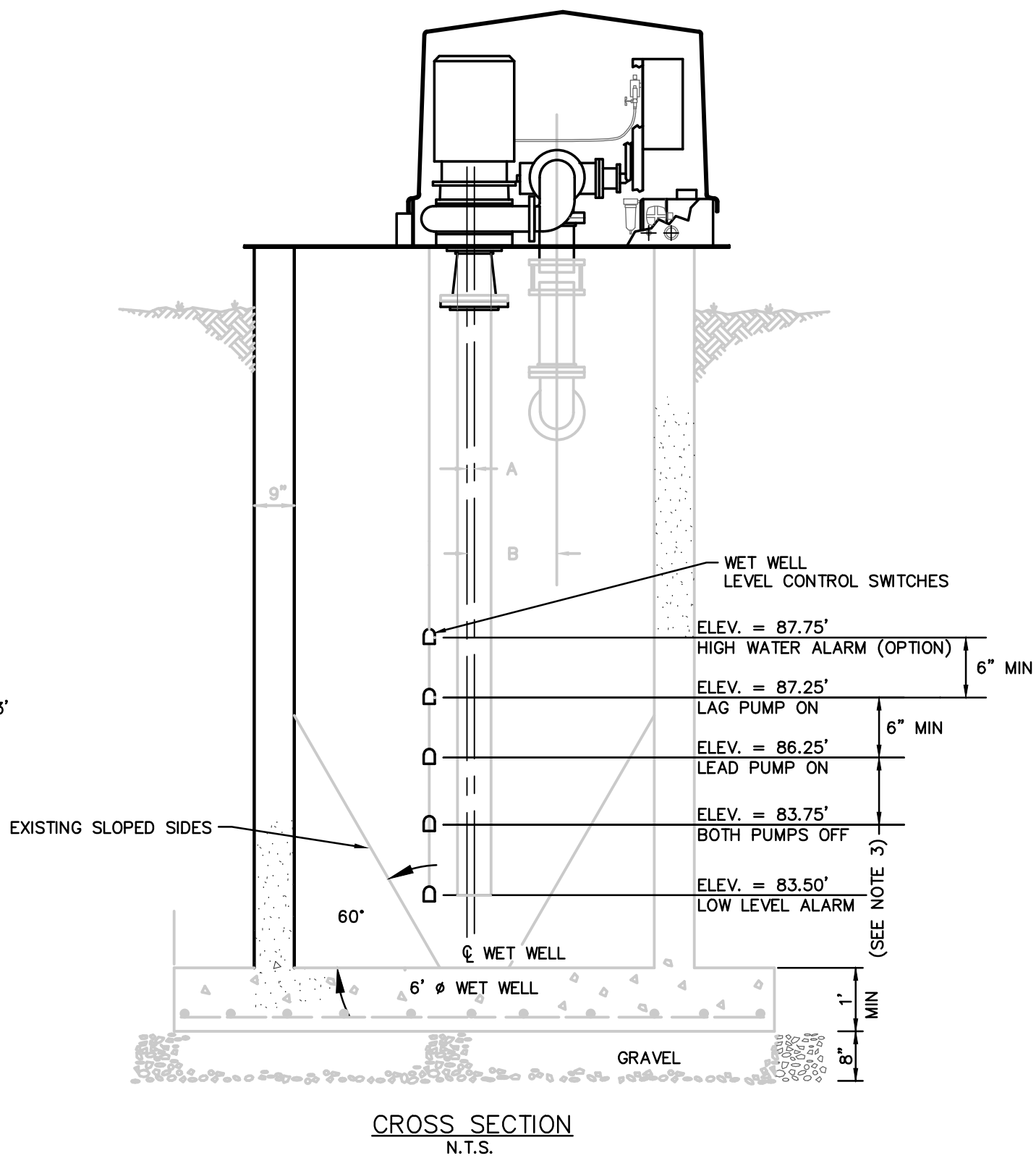
PUMP DUTY  
75 GPM @ 30'

NOTES:

1. IF END OF DISCHARGE LINE IS BELOW ELEVATION OF DISCHARGE LINE AT POINT OF LEAVING WET WELL, CONSULT FACTORY.
2. IF DISCHARGE LINE IS LESS THAN 200 FEET IN LENGTH, A CHECK VALVE MAY BE REQUIRED - CONSULT FACTORY.
3. VOLUME IN GALLONS BETWEEN LEAD PUMP ON AND BOTH PUMPS OFF SHOULD EQUAL PUMPING RATE IN GPM.
4. PUMP MOTORS - MAX. H.P. = 3 (240V/3 PHASE), 1170 RPM
5. MAXIMUM CAPACITY - 100 GPM @ 30' TDH

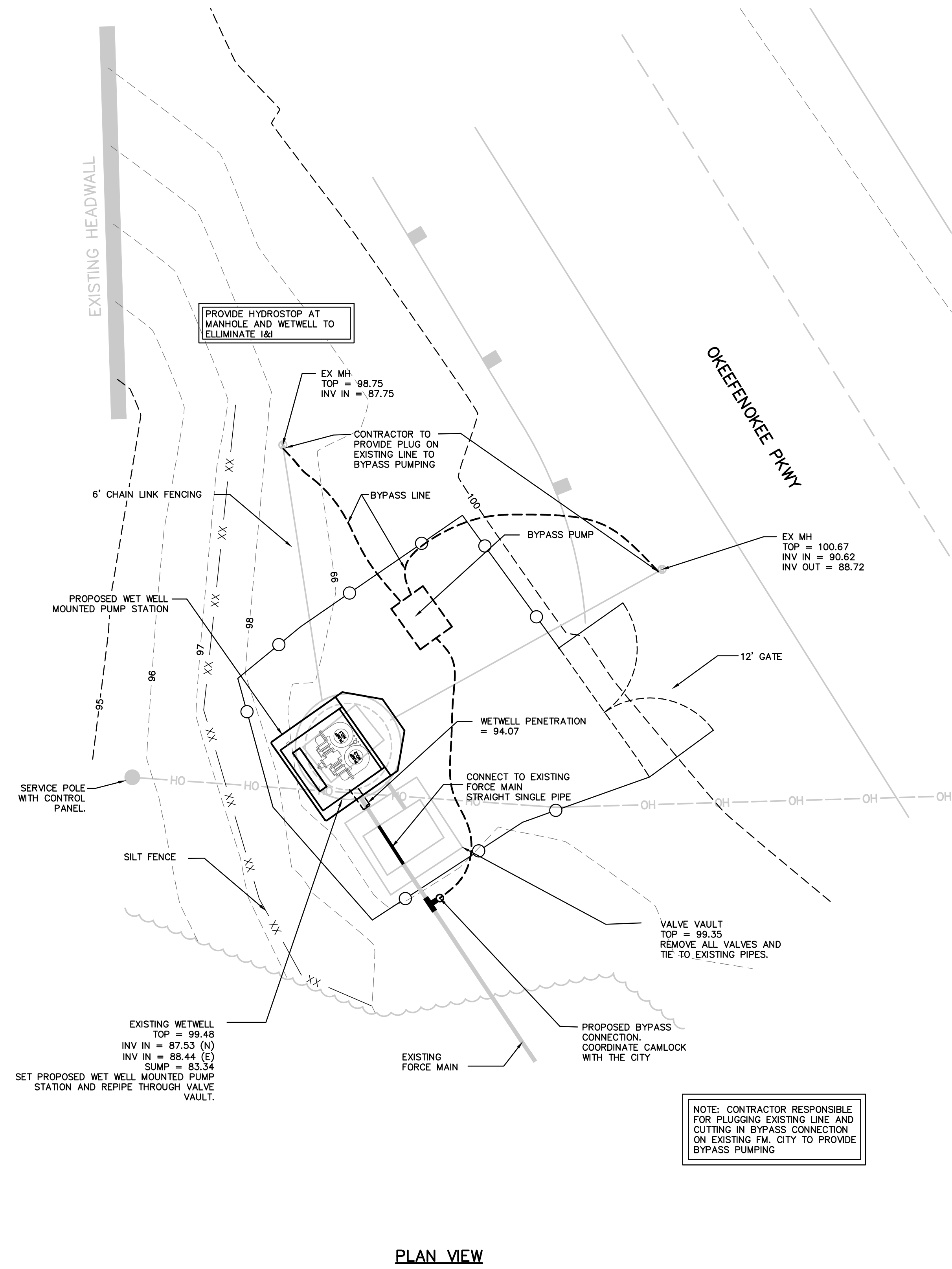


SECTIONAL ELEVATION  
N.T.S.



CROSS SECTION  
N.T.S.

WET WELL MOUNTED PUMP STATION DETAIL  
N.T.S.



PLAN VIEW

NOTE: CONTRACTOR RESPONSIBLE FOR PLUGGING EXISTING LINE AND CUTTING IN BYPASS CONNECTION ON EXISTING F.M. CITY TO PROVIDE BYPASS PUMPING

REVISIONS:


"THIS DRAWING IS AN INSTRUMENT OF SERVICE AND REMAINS THE PROPERTY OF P.C. SIMONTON & ASSOCIATES, INC. AND M.E. SACK ENGINEERING. IT MAY NOT BE COPIED, ALTERED, OR REPRODUCED IN ANY MANNER WITHOUT PERMISSION ON A SIGNED AND SEALED DOCUMENT. THE INFORMATION CONTAINED HEREIN IS INTENDED FOR THE NAMED CLIENT ONLY. IN THE EVENT OF AN ELECTRONIC VERSION P.C. SIMONTON & ASSOCIATES, INC. AND M.E. SACK ENGINEERING ASSUMES NO RESPONSIBILITY FOR DATA GENERATED, ALTERED OR STATED FROM THIS DRAWING. IN THE EVENT OF A DISPUTE, HARD COPIES WILL TAKE PRECEDENCE OVER ANY ELECTRONIC MEDIA."

DESIGN PROFESSIONAL:

MARCUS E. SACK  
GSWCC LEVEL II # 70248  
EXPIRES: 06/14/2023  
MARCUS@MESACK.COM  
515 NORTH MAIN STREET  
P.O. BOX 649  
HINESVILLE, GA 31313  
TEL: (912) 388-5212  
135 GOSHEN ROAD  
SUITE 250  
RINCON, GA 31326  
TEL: (912) 295-2385



DATE: \_\_\_\_\_



MUNICIPALITY:  
CITY OF FOLKSTON

COUNTY:  
CHARLTON

Owner:  
CITY OF FOLKSTON  
541 FIRST STREET  
FOLKSTON, GA 31537  
(912) 496-2563

24 HOUR CONTACT:  
CITY OF FOLKSTON  
541 FIRST STREET  
FOLKSTON, GA 31537  
(912) 496-2563

Clay Branch  
Pump Station

SITE  
PLAN

C100

FILE NO: 2015-52

PLOT DATE: June 16, 2021

